

## LCXT 20

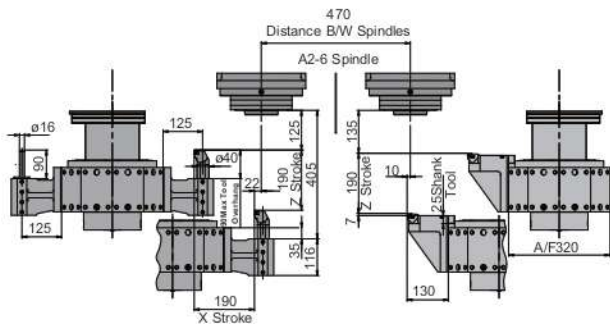


### Machine Features

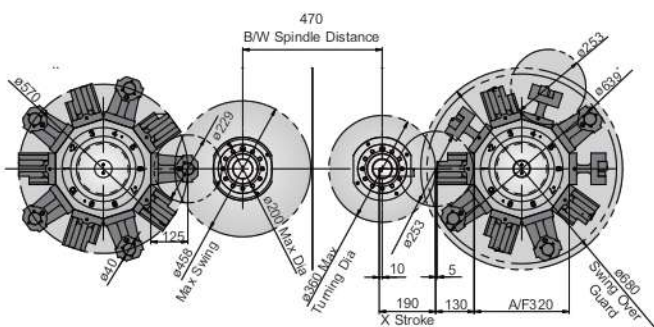
- Compact foot print
- Split Bed construction
- Straight Down coolant and chip disposal
- Thermally stabilized spindle with high axial and radial rigidity
- Servo turret
- Easy Maintenance

Fast on Site: All India Post sales service

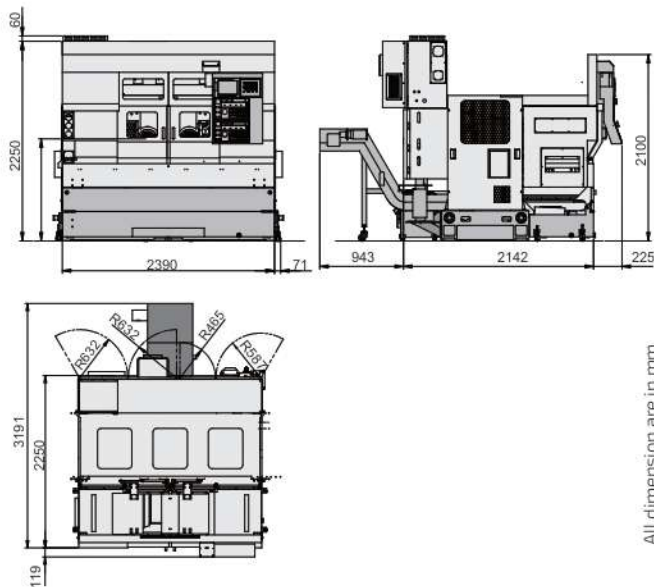
## Machining Range Diagram



## Interference Diagram



## Overall View



## Specifications

## LCXT 20

<b>Control System</b>	Fanuc
<b>Capacity</b>	
Swing Over Bed	458 mm
Maximum Turning Dia.	360 mm
Maximum Turning Length	190 mm
<b>Spindle</b>	
Spindle Nose	A2-6
Bore through Spindle	63 mm
Max. Spindle Speed	3500 rpm
Spindle Motor Power (Fanuc - Continuous)	Fanuc -11 kW
Spindle Motor Power(30 min.)	Fanuc - 15 kW
Full Power Range	Fanuc 875 - 3500 rpm
Standard Chuck Size	250mm
<b>Axes</b>	
Type of Guideways:	
X-axis	LM Guideways
Z-axis	Ram type hardened guide
X-Axis Stroke	190 mm
Z-Axis Stroke	190 mm
X & Z Axes Rapid Rate	24 m/min.
<b>Tooling</b>	
Turret Type	Servo
Number of Tools Maximum	10
Boring Bar Dia Maximum	40 mm
OD Turning Tool Size	25 x 25 mm
<b>Hydraulic System</b>	
Hydraulic Pump Capacity	14 lpm
Hydraulic Power Pack Tank Capacity	45 litres
Coolant Tank Capacity	300 litres
<b>Overall Machine Dimensions(L x W x H)</b>	2390 X 2220 X 2171 mm
<b>Overall Weight (Without Packing)</b>	~ 7000 kg

Owing to continuous up-gradation of our products, the specification may change and to be reconfirmed at the time of ordering. Features shown may not be part of the standard equipment.

Manufactured by:

**ACE DESIGNERS LTD.**

Plant I - Plot No.7 & 8, II Phase, Peenya Industrial Area, Bangalore - 560 058, India

Tel : +91-80-2218 6700, Fax : +91-80-2218 6723, E-mail : info@acedesigners.co.in

INDIA-Marketed & Serviced by **Micromatic®** www.acemicromatic.net

Ahmedabad +91 7925471145; Ambattur +91 98407 85521; Aurangabad +91 240 2552309; Bangalore +91 80 40200555; Belgaum +91 99800 02597; Bommasandra +91 80 27834836;  
Chakan +91 2135 322002; Chennai +91 44 40440700; Coimbatore +91 422 4506183, 6588595; Delhi +91 11 22414232/ 42448095; Faridabad +91 129 4047000; Gurgaon +91 124 4745500 / 4745500;  
Hyderabad +91 40 23070496; Indore +91 73899 39190, 73899 39191; Jamshedpur +91 657 6539931; Kolhapur +91 230 2460444, 2460123; Kolkata +91 33 26710158 / 2710100 / 033-64578825  
Ludhiana +91 97791 28296; Mumbai +91 22 26861009/1976/7271/7272; Nasik +91 253 6610254; Pune +91 20 40712111/27479661/9662; Rajkot +91 7698000728 Ranipet +91 4172 272732;  
Rohtak +91 8295043311; Rudrapur +91 95570 30224, +91 97201 06532; Tambaram +91 44 22265531; Thane +91 22 25829062 Trichy +91 431 2443066

**INTERNATIONAL**

Germany +49 (0) 172 231 6688 Shanghai +86 (21) 586 650 31/32; Switzerland +41 32 652 58 41

Email: salesmmt@acemicromatic.com